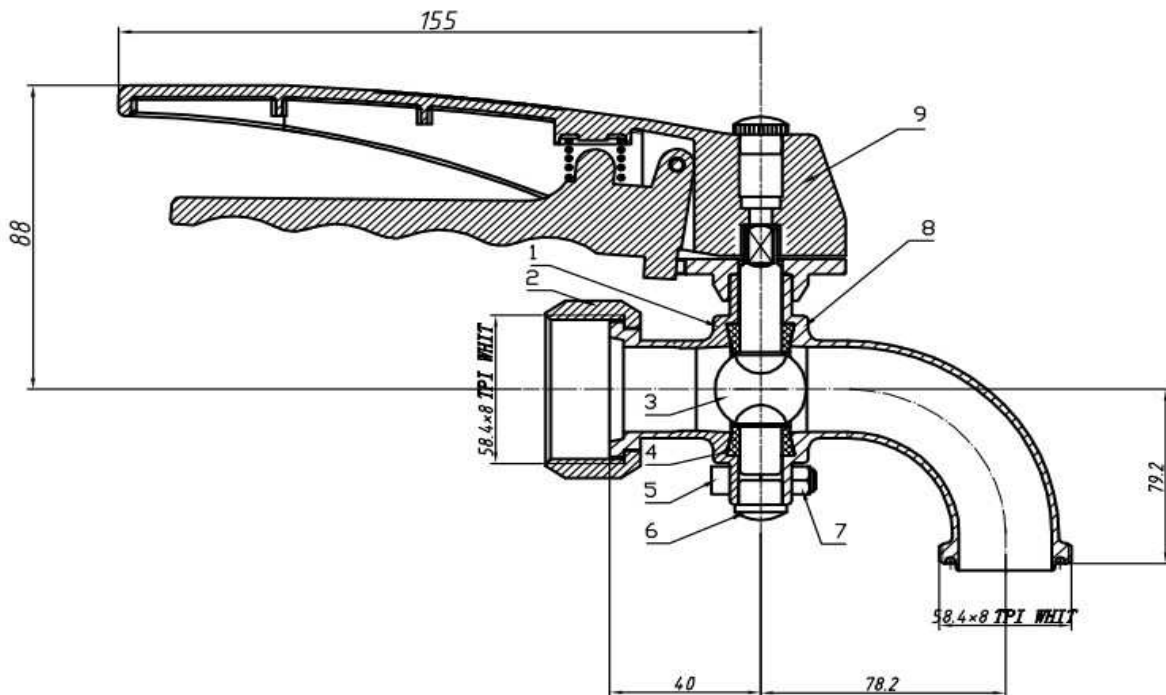


Cangzhou Changyuan Fittings Co.,Ltd

Add:No.26 Shigang Road,Development Zone,Cangzhou ,Hebei,China Pc:061000

[Http://www.con-well.com](http://www.con-well.com) email:con-well@vip.163.com

RJT Butterfly valve 1 1/2"



Material

Item	Description	Material
1	Body- I	304/316/316L
2	RJT NUT	304
3	Disc	304/316/316L
4	Seal	EPDM/Silion
5	Bolt	304
6	Plug	NBR
7	Nut	304
8	Body- II	304/316
9	Handle	Plastic

FEATURES:

- Rated Pressure: PN1.0Mpa
- PED97/23/EC (CE0038) Approved.
- Inspection Testing:API598
- Working temperture: -40°C--150°C